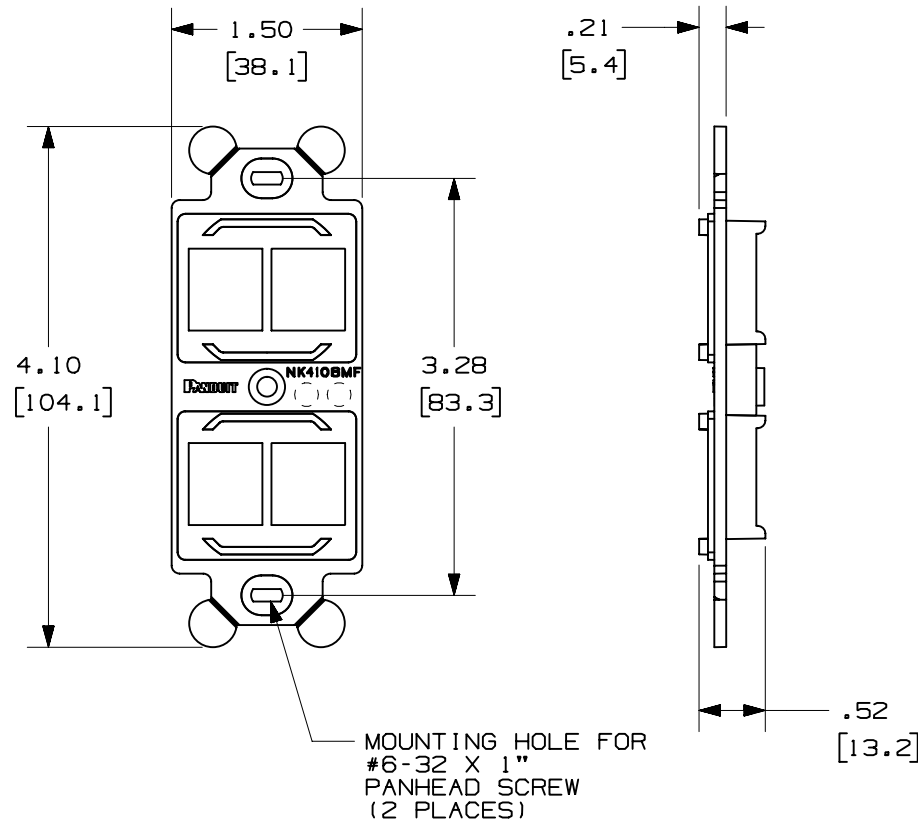


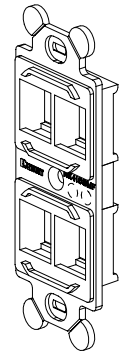
THIS COPY IS PROVIDED ON A RESTRICTED BASIS AND IS NOT TO BE USED IN ANY WAY DETRIMENTAL TO THE INTERESTS OF PANDUIT CORP.



| PANDUIT P/N | WEIGHT |
|-------------|------------------------------|
| NK4106MF** | .03 lb EACH (12.2 g EACH) |

NOTES:

1. SEE CURRENT CATALOG FOR ADDITIONAL PART NUMBER SUFFIXES TO INDICATE COLOR AND OR PACKAGE QUANTITY.
2. FRAME ACCEPTS FOUR 4 NETKEY™ MODULES.
3. DIMENSIONS IN PARENTHESES ARE IN METRIC.
4. (2) #6-32 x 1" PANHEAD SCREWS ARE SUPPLIED.



| | | | |
|------------------|-------------------------|------|---|
| MODEL FILENAME | D38378BA_NK410MF_04.PRT | SIZE | A |
| DRAWING FILENAME | D38378BA_DC_04B.PRT | | |

**NETKEY™ 4 POSITION "106" STYLE
MODULE FRAME CUSTOMER DRAWING**

| | | |
|--|------------------|-------------------------|
| <p>PANDUIT® CORP. TINLEY PARK, IL 60477</p> | I.I. NUMBER | N/A |
| | PRODUCT SPEC | N/A |
| <p>THIRD ANGLE PROJECTION</p> | WORK INSTRUCTION | N/A |
| | SCALE | NONE |
| DRAWN BY JsP | MATERIAL: | ABS |
| DATE 11-30-01 | | PART NO. NK4106MF** |
| CHK'D PM | | DRAWING NO. 38378-03 |

| REV | DATE | BY | CHK | DESCRIPTION | ECN | R | CUST | SUP | OTH |
|-----|----------|-----|-----|------------------------|----------|---|------|-----|-----|
| 1 | 10-18-02 | JsP | | A. REVISED TITLE. | 38378-03 | | | | |
| R | 11-30-01 | JBN | PM | RELEASED TO PRODUCTION | 38378-03 | | | | |